

Generally

The plate cooler with removable plates consists of:

- the frame
- the plate package
- the connections
- the tense parts

The package consists of a plate, the thermodynamic performance corresponding number of plates profiled that are assembled in a single frame into a compact.

Function

Each plate is equipped with a seal that is inserted into a groove. This seal ensures sealing both externally as well as the media themselves. On the heat-exchanging media flow through the plate cooler involved in counter flow.

Flexibility

The design of the plate cooler allows easy opening of the appliance. Thus it can be easily cleaned. Next, it is possible through the plate cooler, add or remove panels adapt to changing operating conditions.

Max. Operating Pressure

Standard 10 bar or 16 bar.

Other operating pressures on inquiry.

Operating Temperature

Up to 140 °C

Test pressure

21 bar

Tiling- and Gasket Materials

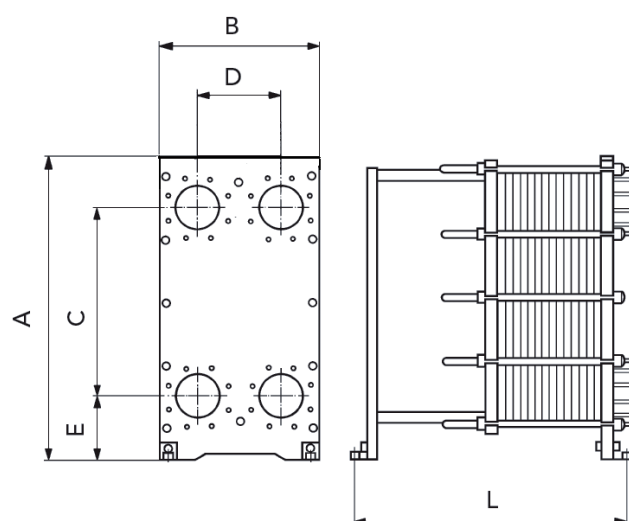
Standard-Plattes: AISI 316 (No. 1.4401), AISI 304

Special materials: Titan, Hastelloy

Seals: NBR, EPDM, FPM

Other materials on request.

Other plate sizes on request.



Type	Dimensions in mm					L		Connection Medium side
	A	B	C	D	E	min.	max.	
PG 14	896	283	694	126	130	437	637	2" BSP
PG 7 A	596	283	394	126	130	437	637	2" BSP
PG 20 A	1096	283	894	126	130	437	637	2" BSP
PG 9 A	626	395	380	192	132	438	638	DN 65
PG 16	920	320	640	140	140	438	638	2" BSP & DN 50
PG 19 A	946	395	700	192	132	438	638	DN 65
PG 31 A	1296	395	1050	192	132	438	638	DN 65
PG 21	1069	480	719	225	200	634	4044	DN 100
PG 47	1715	480	1365	225	200	634	4044	DN 100
PG 64	2121	480	1771	225	200	634	4044	DN 100
PG 41	1450	608	890	296	275	700	4100	DN 150
PG 62	1852	608	1292	296	275	700	4100	DN 150
PG 86	2254	608	1694	296	275	700	4100	DN 150
PG 110	2654	508	2094	296	275	700	4100	DN 150