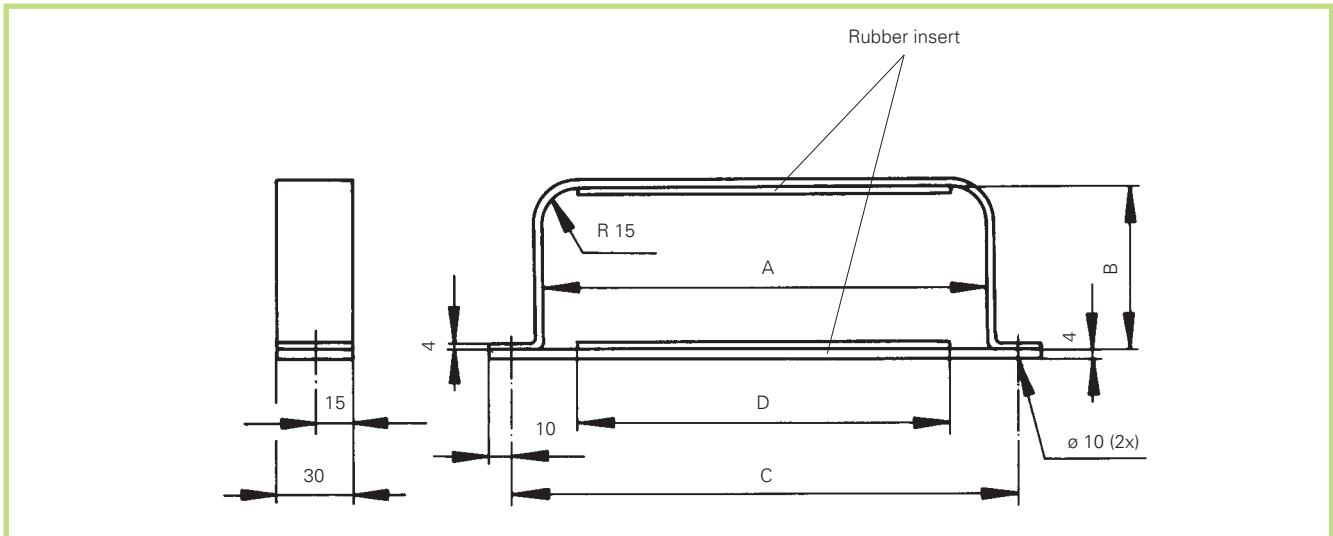




Generally



Selection table

Type	A	B	C	D
FK - B 5	193	75	220	160
FK - B 8	316	75	343	286
FK - B 10 / B 12	292	119	317	260
FK - B 15	469	75	495	437
FK - B 16	381	120	408	370
FK - B 25 / B 27 / B 28	527	119	553	496
FK - B 35	394	244	420	361
FK - B 120 / B 50 / B 56	527	244	553	494

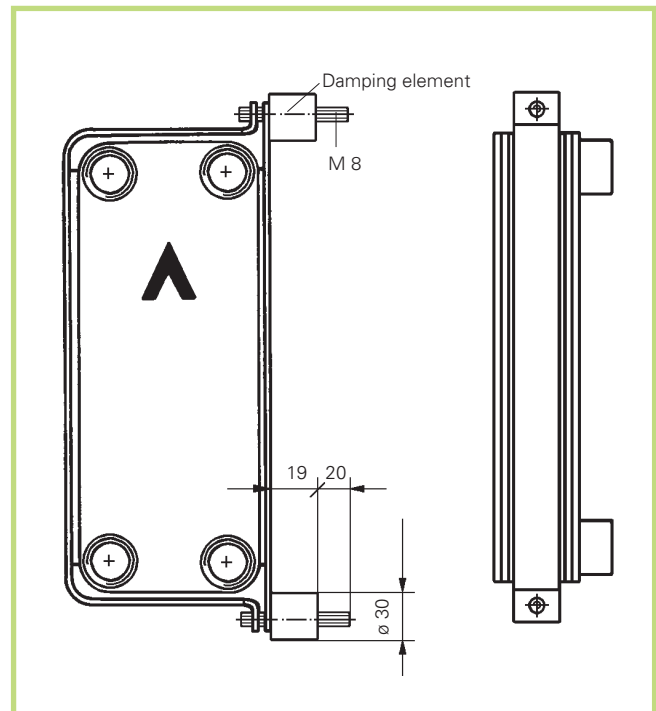
For the following types use two mounting brackets for each plates cooler:

- B 35 > 90 plates
- B 120 > 60 plates
- B 50 > 60 plates
- B 56 > plates Types bigger than B 56 on request.

Bestellbeispiel:

- Befestigungsbügel FK – B 5

Mounting example



The damping elements with their embedded threads and nuts are included in the delivery package.