

WID..BLOC

Compact anti-condensate fan heaters

OSK 10I 0

HEATING POWER

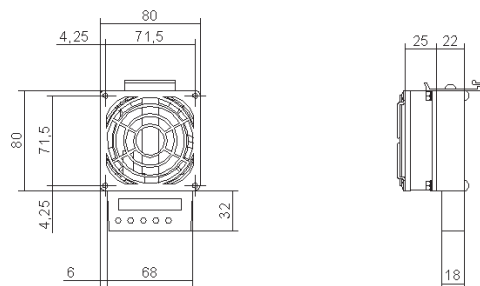
100 - 150 - 200 - 300 - 400 W



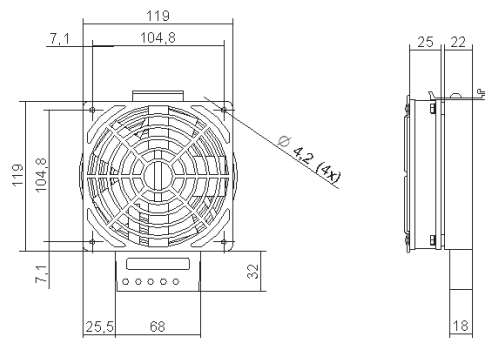
Composition of the heater-fan assembly

Dimensions

WID10BLOC
WID15BLOC



WID20BLOC
WID30BLOC
WID40BLOC



Features	UoM	WID10BL0C	WID15BL0C	WID20BL0C	WID30BL0C	WID40BL0C
Heating power	W	100	150	200	300	400
Power supply	V ~ Hz	230 1~ 50-60	230 1~ 50-60	230 1~ 50-60	230 1~ 50-60	230 1~ 50-60
Dimensions HxWxD	mm	112x80x47	112x80x47	151x119x47	151x119x47	151x119x47
Heating element	-	High-efficiency heater cartridge	High-efficiency heater cartridge	High-efficiency heater cartridge	High-efficiency heater cartridge	High-efficiency heater cartridge
Fan	Capacity	m ³ /h	35	35	108	108
	Support	-	Bearings	Bearings	Bearings	Bearings
	Lifetime at 25°C	h	50,000	50,000	50,000	50,000
Electrical protection	-	For fault on fan	For fault on fan	For fault on fan	For fault on fan	For fault on fan
Outlet air temperature*	°C	45	45	45	45	45
Heating element electrical connection	-	3-pole terminal board	3-pole terminal board	3-pole terminal board	3-pole terminal board	3-pole terminal board
Fan electrical connection	-	2-pole terminal board	2-pole terminal board	2-pole terminal board	2-pole terminal board	2-pole terminal board
IEC protection class	-	I	I	I	I	I
IP rating EN60529	-	IP20	IP20	IP20	IP20	IP20
Radiator	-	Die-cast aluminium	Die-cast aluminium	Die-cast aluminium	Die-cast aluminium	Die-cast aluminium
Clip installation for DIN rail	mm	35	35	35	35	35
Weight	kg	0.6	0.6	0.9	0.9	0.9
Conformity	-	CE	CE	CE	CE	CE

* 50 mm above element

Accessories	
0-60°C thermostat, normally closed 10A	AAWTC10
10-60°C thermostat, change-over contact 10A	AAWTS10
Humidistat RH 35-95%, change-over contact 5A	AAWHS10