



# ORELL

## 3-WAY COMBINATION AIR VALVE

TYPE "D-026/2"

OLD 1295

### For waste water

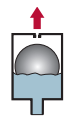
#### Function



Air intake (up to 800 m<sup>3</sup>/h) preventing from harmful negative pressures.



Start-up air discharge (up to 1'000 m<sup>3</sup>/h) for high velocity air discharge.



Permanent air discharge (up to 55 m<sup>3</sup>/h) for stable efficiency by air free flow regime.



#### Areas of application

Waste water

#### Technical features

- Pressure rating PN 16 (sealing system: 0,2 – 16 bar) alternative sealing system for 0,1 to 10 bar
- Connection Male thread: 2", 3"  
Flanges DN 40, DN 50, DN 65  
DN 80, DN 100

#### Accessories\*

- Storz coupling as process connection
- Adjustable throttle for compressed air flushing
- Smooth closing ventilation device

#### Remark

A gate valve between the valve and the pipe must be provided and mounted on site.

Use ventilated covers in case of shaft installation.

#### Execution

Plastic or stainless steel housing.

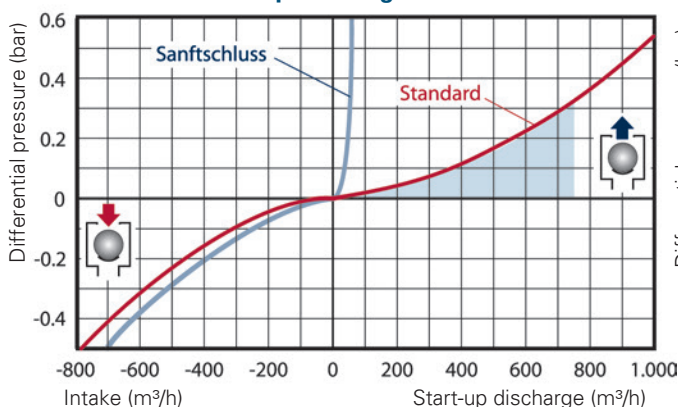
#### Design

Big orifice: 1'955 mm<sup>2</sup>  
Small orifice: 8,6 mm<sup>2</sup>

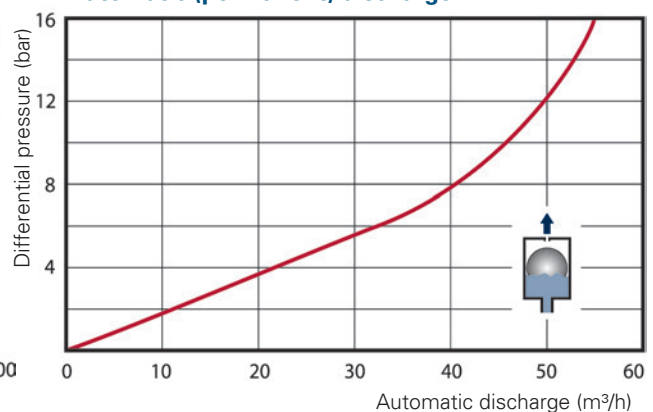
#### Advantages

- Easy to clean thanks to a quick-action locking device
- Quickly mounted – with Storz coupling for easy connection to the process
- Dual-use, the Storz coupling being used for line flushing
- Easy handling – from gross weight of 8 kg upwards.
- Low height of from 535 mm.
- Load resistant thanks to freely swinging, rotating and springy float.
- Explosion prof – Available in ATEX version.

#### Intake and start-up discharge



#### Automatic (permanent) discharge



\* Optional execution

Manufacturing tolerances not taken into account.

Subject to change without prior notice.

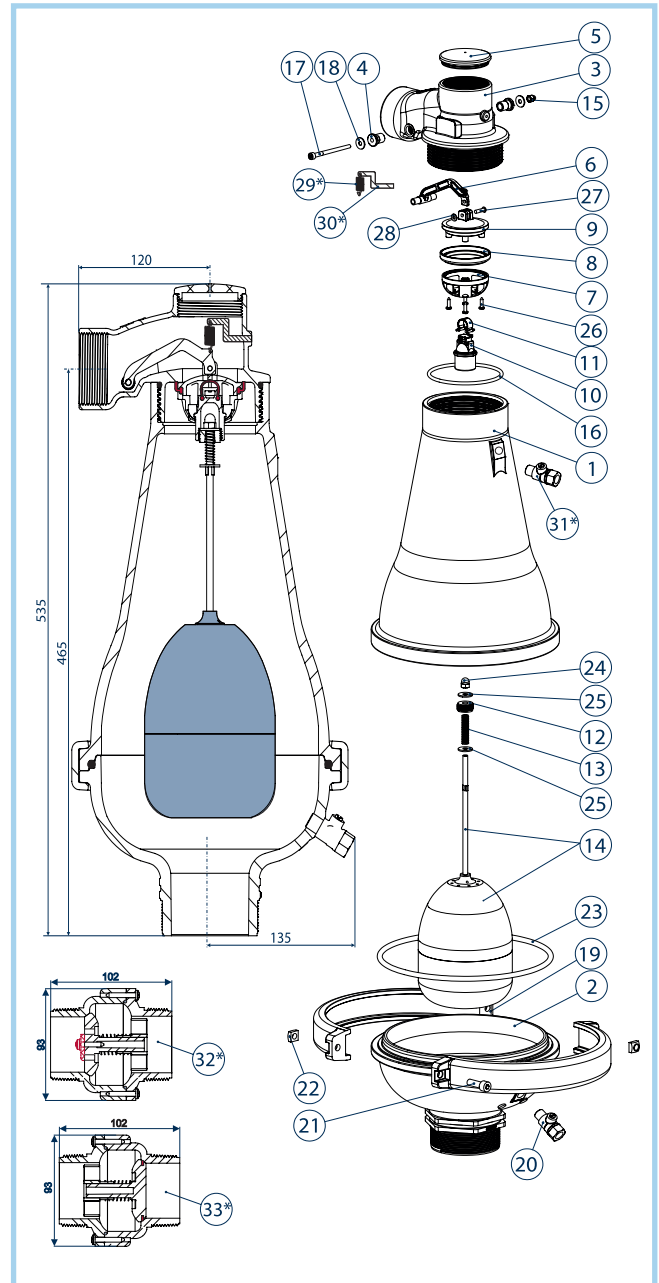
## Part list

Pos.	Designation	Material	Alternative
1.	Middle part of housing	PAGF	VA, Duplex
2.	Lower part of housing	PAGF	VA, Duplex
3.	Upper part of housing	VA	Duplex
4.	Bearing	POM	
5.	Plug	PE	VA
6.	Lever arm	VA	
7.	Cage sealing system	PAGF	
8.	Lip seal	EPDM	Viton
9.	Seal flap	PAGF	VA
10.	Piston	PAGF	
11.	Rolling seal	EPDM	Viton
12.	Float fixing	PAGF	
13.	Spring	VA	Inconel
14.	Float and lever system	Pe + VA	VA, Duplex
15.	Cap nut	VA	
16.	O-Ring	NBR	Viton
17.	Screw	VA	
18.	Washer	VA	
19.	Clamp	VA	
20.	Drain valve	VA	PVC
21.	Screw	VA	
22.	Nut	VA	
23.	O-Ring	NBR	Viton
24.	Cap nut	VA	Duplex
25.	Washer	VA	Duplex
26.	Screw	VA	Duplex
27.	Bolt	VA	Duplex
28.	Washer	VA	Duplex
29*	Spring for gentle closing	VA	-
30*	Spring holder	VA	-
31*	Drain valve	VA	PVC
32*	Throttle adapter for gentle closing	PAGF, VA	-
33*	Vent valve	PAGF, EPDM, VA	-

\* optional

## Weight

Connection	PAGF	VA / Duplex
2" AG, 3" AG	8,0 kg	17,0 kg
DN 50 / 80 / 100	9,0 kg	20 / 21 / 22 kg



## Heights

Design	Approx. height
Valve with outer thread (male) / with flange	535 mm 540 mm
Valve with STORZ / with dual STORZ and flange	560 mm 615 mm

## Accessories



Throttle adapter 2" for gentle closing (FISO)



One-way-out / one way in valve 2"