

## Drinking water / Industrial water

### Construction

Welded shell in clean steel plate all side to sand-blast, internal and external rust protection with different paint protective coats. Inside painted 320 µm, outside painted standard RAL 5015. Sieve plate, connection / connecting flange in stainless steel.

### Butyl bladder, food quality with certificate DVGW.

Other bladder materials, RAL-paints, complete execution in stainless steel on request.

### System

The liquid circulates **in** the bladder and is only in contact with the bladder and flange connection.

### Working pressure

16 bar

### Precharge pressure P0

According to calculation ORELL Tec AG.

### Temperature range

Standard execution 0 °C to +80 °C.

Other ranges on request.

### Pressure liquids

Water

Other liquids should be specified with the order.

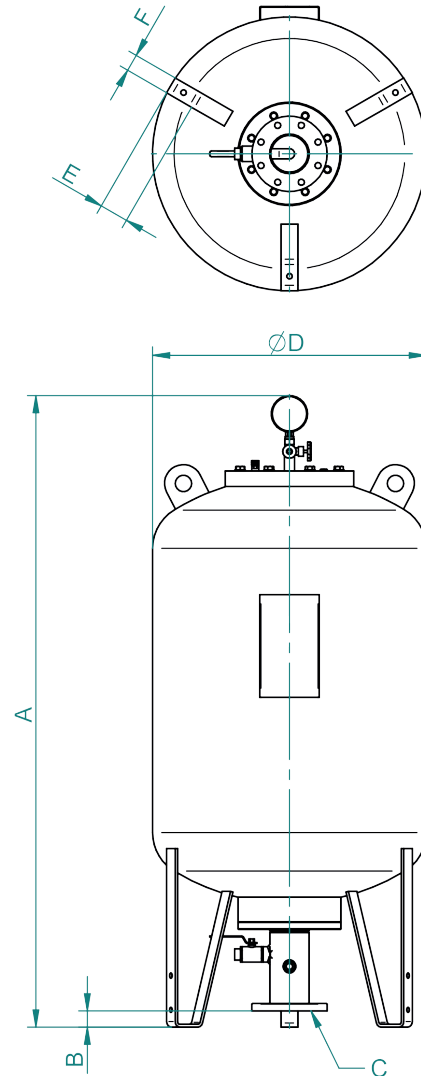
### Mounting / mounting instruction

Vertical on 3 legs.

Leave a free space of 1000 mm over the manhole for removal and installation of the bladder.

### Accessories

LED Water Level Display see data sheet OLD 1120 in chapter 11 "Accessories".



Type	Gasvol. V0 liter	Weight kg	Dimensions in mm				Possible connections C in PN 16	Size B
			A	D	E	F		
DDV 100 – 16 / 90	106	111	1275	510	54	50	DN 50 / DN 80 / DN 100	B = 35 – 45 mm
DDV 200 – 16 / 90	208	162	1795	510	54	50	DN 50 / DN 80 / DN 100	B = 35 – 45 mm
DDV 300 – 16 / 90	315	277	1895	600	54	50	DN 80 / DN 100 / DN 125 / DN 150	B = 35 – 45 mm
DDV 500 – 16 / 90	519	335	1825	800	54	50	DN 80 / DN 100 / DN 125 / DN 150	B = 35 – 45 mm
DDV 750 – 16 / 90	774	478	2035	900	100	100	DN 80 / DN 100 / DN 125 / DN 150	B = 35 – 45 mm
DDV 1000 – 16 / 90	1029	605	2445	900	100	100	DN 80 / DN 100 / DN 125 / DN 150	B = 35 – 45 mm
DDV 1500 – 16 / 90*	1550	921	2610	1100	100	100	DN 150 / DN 200 / DN 250	B = 35 – 45 mm
DDV 2000 – 16 / 90*	2050	1140	3145	1100	100	100	DN 150 / DN 200 / DN 250	B = 35 – 45 mm
DDV 3000 – 16 / 90*	3075	1615	3345	1300	100	100	DN 150 / DN 200 / DN 250	B = 35 – 45 mm
DDV 4000 – 16 / 90*	4100	2060	3375	1500	150	150	DN 150 / DN 200 / DN 250	B = 35 – 45 mm
DDV 5000 – 16 / 90*	5120	2366	3955	1500	150	150	DN 150 / DN 200 / DN 250	B = 35 – 45 mm

\*with lateral nitrogen line