

Drinking water / Industrial water

Construction

Welded shell in clean steel plate all side to sand-blast, internal and external rust protection with different paint protective coats. Inside painted 320 µm, outside painted standard RAL 5015. Sieve plate, connection / connecting flange in stainless steel.

Butyl bladder, food quality with certificate DVGW.

Other bladder materials, RAL-paints, complete execution in stainless steel on request.

System

The liquid circulates in the bladder and is only in contact with the bladder and flange connection.

Working pressure

16 bar / 25 bar

Precharge pressure P0

According to calculation ORELL Tec AG.

Temperature range

Standard execution 0 °C to +80 °C.

Other ranges on request.

Pressure liquids

Water

Other liquids should be specified with the order.

Mounting / mounting instruction

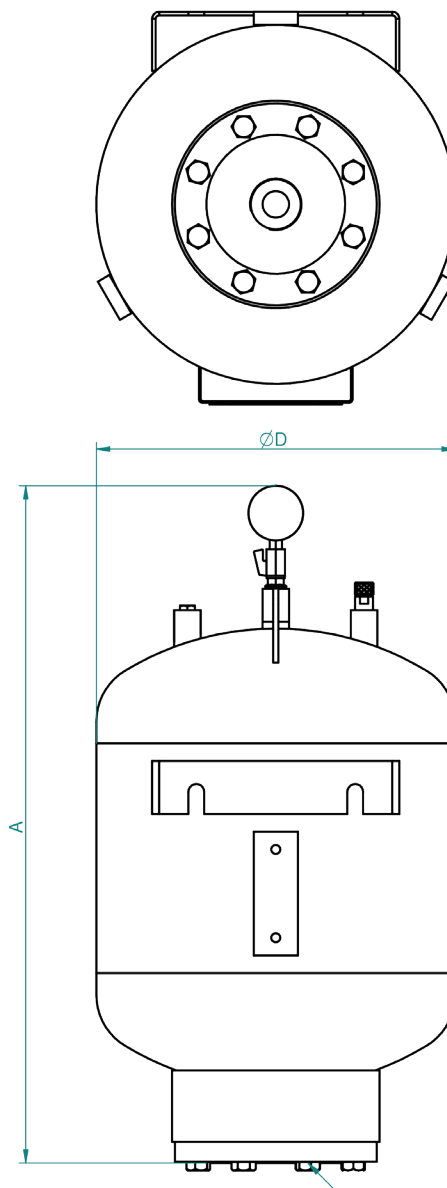
Vertically with foot extensions or wall bracket. To remove/fit the bladder, arrange the flange connection so that it can be dismantled easily.

Shutoff valve between main line and shock absorber to be provided by the customer.

Accessories

LED Water Level Display see data sheet OLD 1120 in chapter 11 "Accessories".

For feet and foot extensions see data sheet OLD 1140 in chapter 11 "Accessories".



Type	Gasvol. V0 Liter	Weight kg	Dimensions in mm		Possible connections C in PN 25
			A	D	
DDV 50 – 16 / 90	50	80	770	406	IG 2"
DDV 50 – 25 / 90	50	80	770	406	IG 2"