

Drinking water / Industrial water

Construction

Welded shell in clean steel plate all side to sand-blast, internal and external rust protection with different paint protective coats. Inside painted 320 µm, outside painted standard RAL 5015. Sieve plate, connection / connecting flange in stainless steel.

Butyl bladder, food quality with certificate DVGW.

Other bladder materials, RAL-paints, complete execution in stainless steel on request.

System

The liquid circulates in the bladder and is only in contact with the bladder and flange connection.

Working pressure

16 bar

Precharge pressure P0

According to calculation ORELL Tec AG.

Temperature range

Standard execution 0 °C to +80 °C

Other ranges on request.

Pressure liquids

Water

Other liquids should be specified with the order.

Mounting / mounting instruction

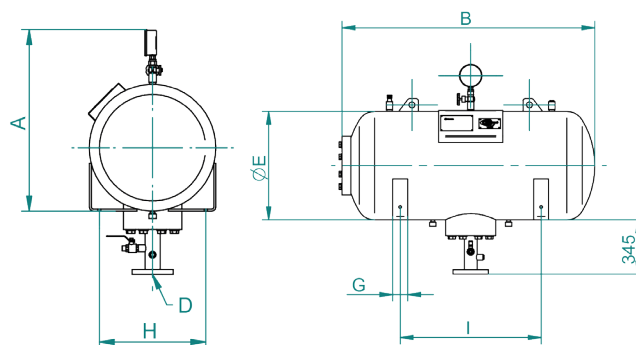
Vertical on 4 legs.

Leave a free space of 1000 mm near the manhole for removal and installation of the bladder.

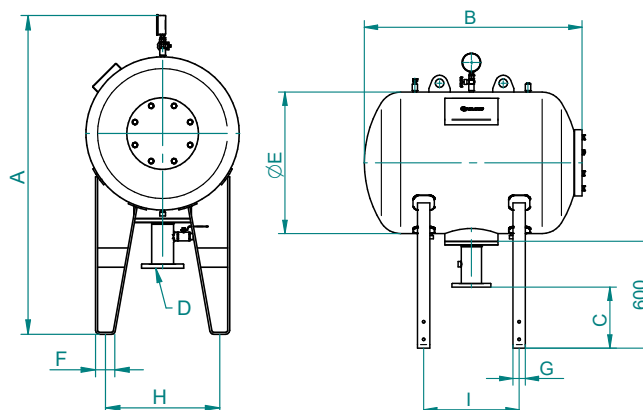
Accessories

LED Water Level Display see data sheet OLD 1120 in chapter 11 "Accessories".

DDH 100-300



DDH 500-5000



Typ	Gasvol. V0 liter	Weight kg	Dimensions in mm							Possible connections D in PN 16	Size C
			A	B	E	F	G	H	I		
DDH 100 – 16 / 90	106	123	820	680	510	-	70	428	300	DN 50 / DN 80 / DN 100	-
DDH 200 – 16 / 90	208	180	820	1185	510	-	70	428	660	DN 50 / DN 80 / DN 100	-
DDH 300 – 16 / 90	315	240	910	1290	600	-	70	520	720	DN 80 / DN 100 / DN 125 / DN 150	-
DDH 500 – 16 / 90	519	345	1750	1245	800	54	50	597	540	DN 80 / DN 100 / DN 125 / DN 150	335 - 345 mm
DDH 750 – 16 / 90	774	495	1850	1456	900	100	100	715	690	DN 80 / DN 100 / DN 125 / DN 150	335 - 345 mm
DDH 1000 – 16 / 90	1029	657	1820	1844	900	100	100	693	960	DN 80 / DN 100 / DN 125 / DN 150	335 - 345 mm
DDH 1500 – 16 / 90	1550	942	2030	1893	1100	100	100	893	910	DN 150 / DN 200 / DN 250	335 - 345 mm
DDH 2000 – 16 / 90	2050	1125	2030	2436	1100	100	100	893	1450	DN 150 / DN 200 / DN 250	335 - 345 mm
DDH 3000 – 16 / 90*	3075	1640	2250	2631	1300	100	100	1088	1540	DN 150 / DN 200 / DN 250	335 - 345 mm
DDH 4000 – 16 / 90*	4100	2088	2450	2622	1500	150	150	1253	1420	DN 150 / DN 200 / DN 250	335 - 345 mm
DDH 5000 – 16 / 90*	5120	2395	2450	3273	1500	150	150	1253	2000	DN 150 / DN 200 / DN 250	335 - 345 mm

*With lateral nitrogen line Dimension ØE +160 mm