

Drinking water / Industrial water

Construction

Welded shell in clean steel plate all side to sand-blast, internal and external rust protection with different paint protective coats. Inside painted 320 µm, outside painted standard RAL 5015. Sieve plate, connection / connecting flange in stainless steel.

Butyl bladder, food quality with certificate DVGW.

Other bladder materials, RAL-paints, complete execution in stainless steel on request.

System

The liquid circulates **in** the bladder and is only in contact with the bladder and flange connection.

Working pressure

25 bar

Precharge pressure P0

According to calculation ORELL Tec AG.

Temperature range

Standard execution 0 °C to +80 °C

Other ranges on request.

Pressure liquids

Water

Other liquids should be specified with the order.

Mounting / mounting instruction

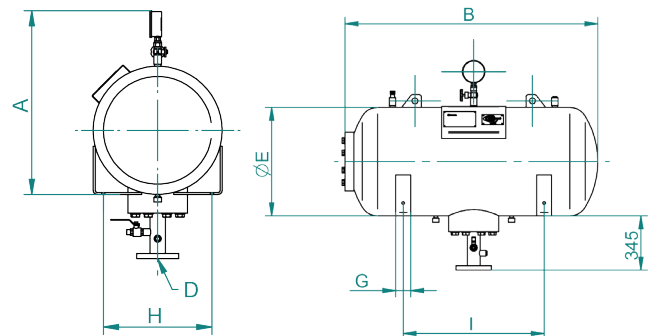
Vertical on 4 legs.

Leave a free space of 1000 mm near the manhole for removal and installation of the bladder.

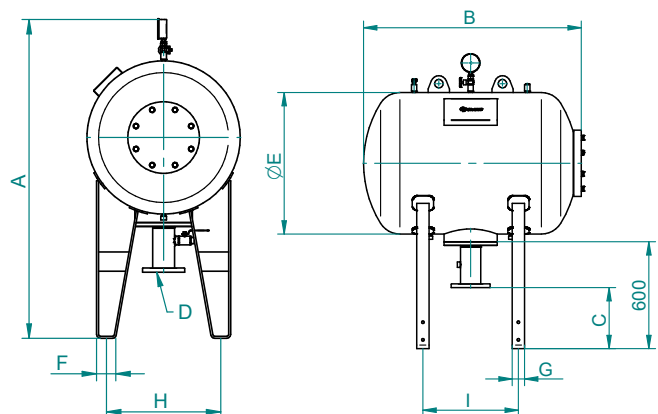
Accessories

LED Water Level Display see data sheet OLD 1120 in chapter 11 "Accessories".

DDH 100-300



DDH 500-5000



| Typ | Gasvol. V0 liter | Weight kg | Dimensions in mm | | | | | | | Possible connections D in PN 25 | Size C |
|---------------------|------------------|-----------|------------------|------|------|-----|-----|------|------|----------------------------------|--------------|
| | | | A | B | E | F | G | H | I | | |
| DDH 100 – 25 / 90 | 106 | 123 | 820 | 680 | 510 | | 70 | 428 | 300 | DN 50 / DN 80 / DN 100 | – |
| DDH 200 – 25 / 90 | 208 | 180 | 820 | 1185 | 510 | | 70 | 428 | 660 | DN 50 / DN 80 / DN 100 | – |
| DDH 300 – 25 / 90 | 315 | 240 | 910 | 1290 | 600 | | 70 | 520 | 720 | DN 80 / DN 100 / DN 125 / DN 150 | – |
| DDH 500 – 25 / 90 | 519 | 345 | 1750 | 1245 | 800 | 54 | 50 | 597 | 540 | DN 80 / DN 100 / DN 125 / DN 150 | 335 - 345 mm |
| DDH 750 – 25 / 90 | 774 | 495 | 1850 | 1456 | 900 | 100 | 100 | 715 | 690 | DN 80 / DN 100 / DN 125 / DN 150 | 335 - 345 mm |
| DDH 1000 – 25 / 90 | 1029 | 657 | 1820 | 1844 | 900 | 100 | 100 | 693 | 960 | DN 80 / DN 100 / DN 125 / DN 150 | 335 - 345 mm |
| DDH 1500 – 25 / 90 | 1550 | 942 | 2030 | 1893 | 1100 | 100 | 100 | 893 | 910 | DN 150 / DN 200 / DN 250 | 335 - 345 mm |
| DDH 2000 – 25 / 90 | 2050 | 1125 | 2030 | 2436 | 1100 | 100 | 100 | 893 | 1450 | DN 150 / DN 200 / DN 250 | 335 - 345 mm |
| DDH 3000 – 25 / 90* | 3075 | 1640 | 2250 | 2631 | 1300 | 100 | 100 | 1088 | 1540 | DN 150 / DN 200 / DN 250 | 335 - 345 mm |
| DDH 4000 – 25 / 90* | 4100 | 2088 | 2450 | 2622 | 1500 | 150 | 150 | 1253 | 1420 | DN 150 / DN 200 / DN 250 | 335 - 345 mm |
| DDH 5000 – 25 / 90* | 5120 | 2395 | 2450 | 3273 | 1500 | 150 | 150 | 1253 | 2000 | DN 150 / DN 200 / DN 250 | 335 - 345 mm |

*With lateral nitrogen line Dimension ØE +160 mm