



# ORELL

# MEMBRAN ACCUMULATOR SERIES ELM – RF – CE

STAINLESS STEEL 316L / 0,16–2,8 L / 100–180 BAR

OSP 350

## Membran accumulator in stainless steel series ELM – RF – CE

### Construction

Membrane accumulators with integrated disc, pressure vessel in stainless steel, gas locking screw, **not** demountable.

### Pre-Charge pressure P<sub>0</sub>

Ratio  $P_{max}/P_0$  see range table.

### Temperature range

Temperature range from -10 °C to +80 °C  
Other ranges on request.

### Hydraulic fluids

Standard execution for hydraulic oil (mineral oil).  
Other membrane materials on request.

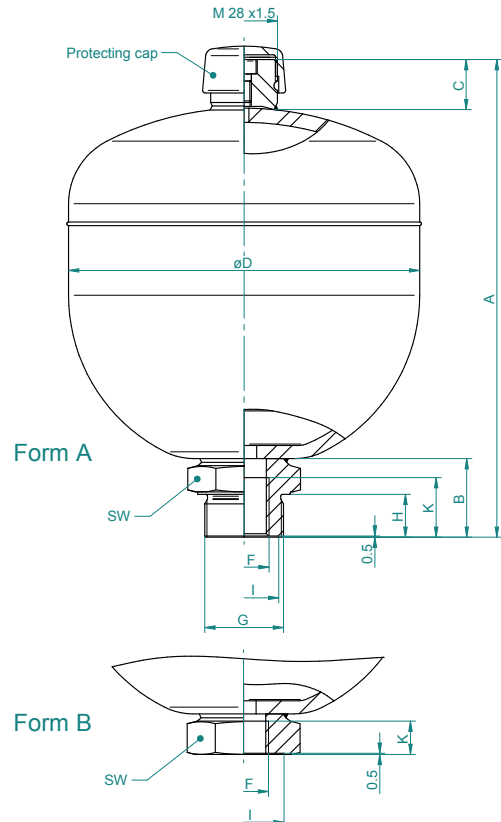
### Installation

User-defined.

Leave a space of 200 mm free above the gas locking screw for attaching the tester and pressurizer VGU, this is to tighten with a torque of 2 Nm.

### Method of mounting

With clamps see data sheet OSP 775 or by form A per outside thread M 33 x 1,5 and lock nut.



Model	Gasvol. V <sub>0</sub> litre	Design pressure bar	P <sub>max</sub> /P <sub>0</sub>	Masse kg	Dimensions in mm										
					A	B	C	øD	F	G	H	I	K	SW	Conne- tion form
ELM 0,16 – 180 / 00 - RF*	0,16	180	8 : 1	0,9	139	38	22	74	G ¼"	G ½"	20	20	12	32	A
ELM 0,16 – 180 / 00 - RF*	0,16	180	8 : 1	0,9	122	–	22	74	G ½"	–	–	29	14	32	B
ELM 0,25 – 160 / 00 - RF*	0,25	160	8 : 1	1,0	128	–	22	84	G ½"	–	–	29	14	32	B
ELM 0,32 – 160 / 00 - RF*	0,32	160	8 : 1	1,4	137	–	22	93	G ½"	–	–	29	14	32	B
ELM 0,5 – 150 / 00 - RF*	0,50	150	8 : 1	1,7	164	36	22	104,5	G ½"	G ¾"	20	24,5	14	41	A
ELM 0,5 – 150 / 00 - RF*	0,50	150	8 : 1	1,7	149	–	22	104,5	G ½"	–	–	29	14	32	B
ELM 0,75 – 140 / 00 - RF*	0,75	140	8 : 1	2,8	181	36	22	121	G ½"	M 33 x 1,5	19	31	14	41	A
ELM 1 – 150 / 00 - RF*	1,00	150	8 : 1	3,7	191	36	22	136	G ½"	M 33 x 1,5	19	31	14	41	A
ELM 1,4 – 150 / 90 - RF	1,40	150	8 : 1	5,1	214	36	22	150	G ½"	M 33 x 1,5	19	31	14	41	A
ELM 2 – 100 / 90 - RF*	2,0	100	8 : 1	6,4	233	36	22	166	G ½"	M 33 x 1,5	20	31	14	41	A
ELM 2,8 – 210 / 90 - RF	2,80	210	4 : 1	7,6	275	36	22	166	G ¾"	M 45 x 1,5	20	43	16	46	A

Issued in accordance with PED 2014/68/EC with CE marked.

\*Issued in accordance with PED 2014/68/EC, article 4 clause 3 , without CE-marking.

Manufacturer's tolerances not taken into account.

The right to make modifications reserved.